

SMD POWER INDUCTORS

MODEL NO. : SPC-06703 SERIES(CDRH6D28 COMPATIBLE)

FEATURES:

- * SUPERIOR QUALITY FOR AN AUTOMATED PRODUCTION LINE.
- * PICK AND PLACE COMPATIBLE.
- * TAPE AND REEL PACKING.



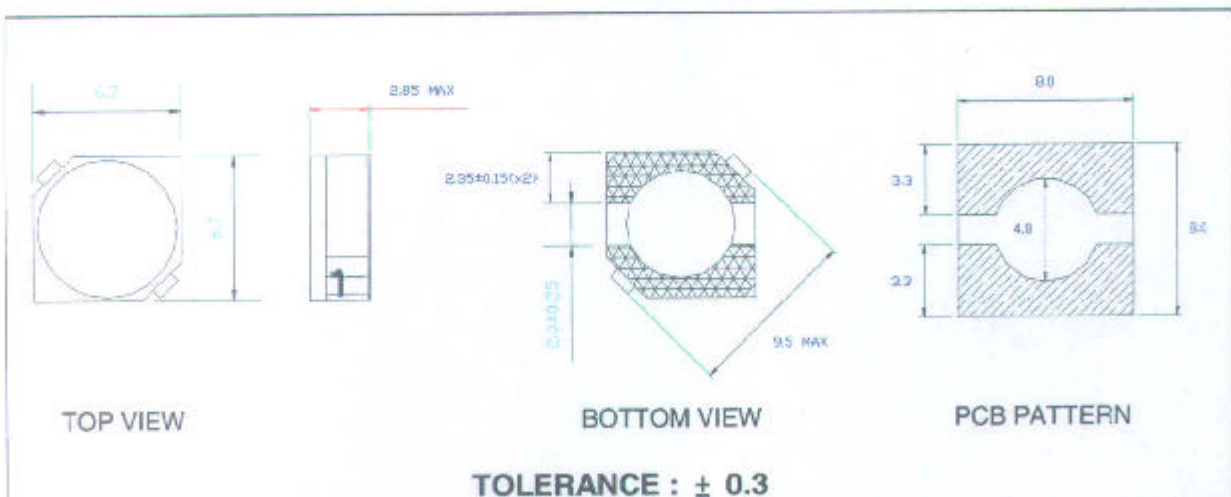
APPLICATION :

- * NOTEBOOK COMPUTERS .
- * DC-DC CONVERTERS.
- * DC-AC INVERTERS.
- * PDA
- * DIGITAL STILL CAMERAS.
- * PC CAMERAS.

ELECTRICAL SPECIFICATION:

PART NO	INDUCTANCE (uH) ± 20%	DCR MAX (Ω)	RATED CURRENT (A)
SPC-06703-100	10	0.054	1.83
SPC-06703-220	22	0.125	1.24
SPC-06703-470	47	0.250	0.85
SPC-06703-101	100	0.510	0.58

PHYSICAL DIMENSION : (UNIT:mm)



NOTE(1): TEST FREQUENCY:100 KHZ ,1VRMS.

NOTE (2): THIS INDICATES THE VALUE OF DC CURRENT WHICH THE INDUCTANCE IS 25% LOWER THAN ITS INITIAL VALUE AND/OR ΔT=40°C UNDER THIS DC CURRENT BIAS.